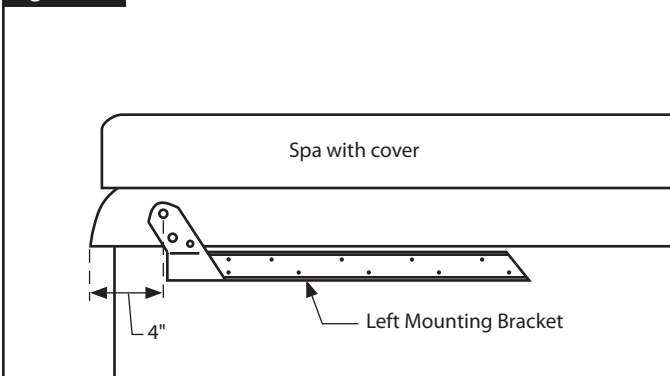


Covermate III Maxxus

Installation Instructions

Figure 1



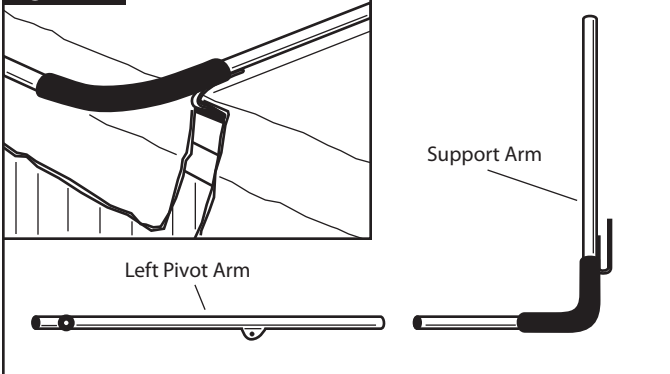
Step #1

Position the spa cover (in closed position) on the spa, making sure that all four corners are properly positioned and square on the spa.

Step #2

Using the the #10 X 1 1/2" screws, attach the left and right Mounting Brackets to the appropriate sides of the spa. (See Fig. 1) Note: Brackets can be mounted directly to the Top Rail of the spa or to the side wall of the spa. Caution: To prevent splitting of wood cabinet, pre-drill holes with a 1/16" drill bit.

Figure 2



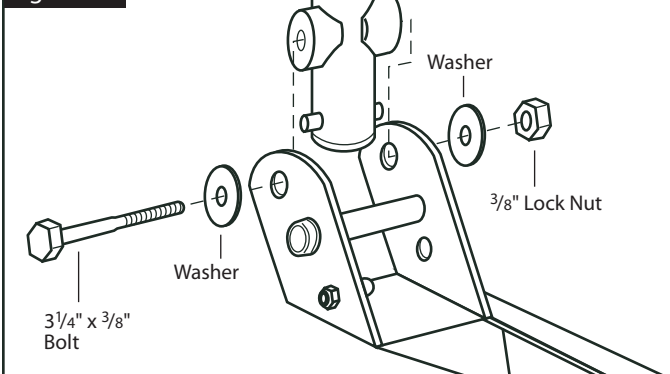
Step #3

The Covermate III is equipped with a Wind Lock Bar that can be installed on either side of the spa. This needs to be determined at this point, as the pivot arm with the stop studs needs to be installed on the chosen side of the Wind Lock Bar. Starting with the left side first, insert the short end of the left Cover Support Arm into the Pivot Arm. (See Fig. 2 to determine Left Support Arm and Pivot Arm)

Next, lay the long end of the Cover Support Arm on the top of the cover lying parallel to the spa cover hinge about a 1/2" away. Insert the U-Shaped Retainer Clip in between the two cover halves, with the horizontal part touching the underside of the cover hinge. (See Fig. 2)

With the Left Support Arm lying on the cover, slide the straight coupler piece over the long end of the left Cover Support Arm. Repeat this step for the right side Cover Support Arm and Pivot Arm and insert the long end of the Cover Support Arm into the Coupler Piece.

Figure 3

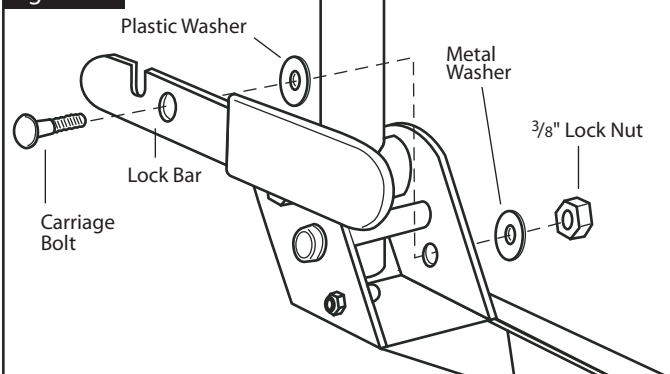


Step #4

Connect the Pivot Arm to the left Mounting Bracket (See Fig. 3) . Be sure to run the Bolt Head as pictured. Lightly tighten the nut and bolt combination so the the Pivot Arm moves freely.

Note: Do not insert Self Tapping Screws at this time.

Figure 4



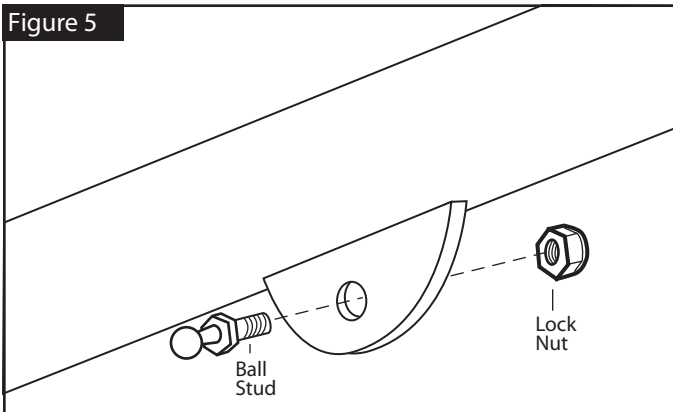
Step #5

Install the Wind Lock Bar on the determined bracket side (See Fig. 4). Lightly tighten the nut and bolt combination so that the Lock Bar moves freely.

CAUTION!

Do not use the Covermate in high wind conditions (greater than 10 m.p.h.). Injury from the spa cover being blown over and impacting the spa user can occur.

Figure 5



Step #6

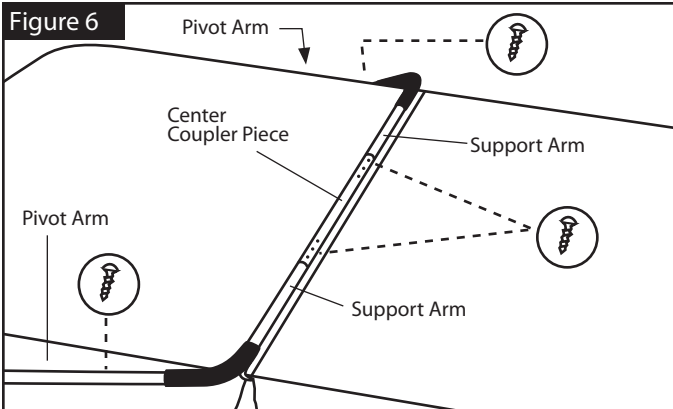
Attach the right side Pivot Arm to the right side Mounting Bracket. Next, install the ball studs to the left and right Pivot Arms. NOTE: Be sure that the ball stud is pointing away from the spa (see Figure 5).

Step #7

Adjust the Coupler Piece and support Arms so that the Coupler Piece is lying parallel to the spa covers hinge about 1/2" away, and centered. Be sure that the Retainer Clips are in their proper position. Using the #10 Self Tapping screws, fasten Support Arms to Pivot Arms and the Center Coupler Piece to the Support Arm (See Fig. 6).

Note: Be sure to rotate the Coupler Piece so that the inserted screws are at a horizontal angle with the heads facing the back of the spa.

Figure 6



Step #8

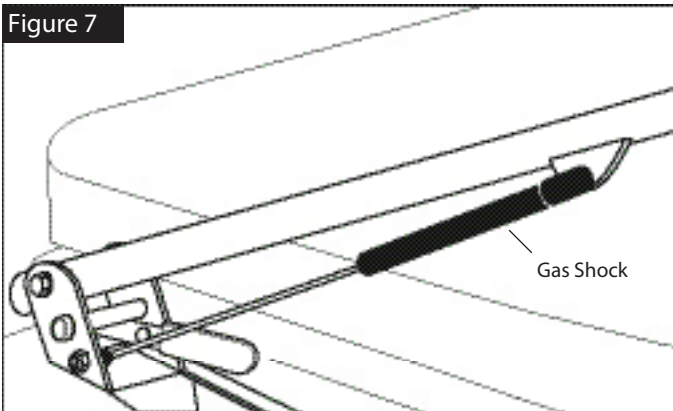
Using the Covermate, lift the cover off the spa and place in the upright position. Snap the Gas Shocks on the Ball Studs.

Note: Be sure to install Gas Shocks with the black body on top. (See Fig. 7 for completed look)

Step #9

Slip the Black Hand Grips to the edge of the spa cover and snap the black plastic Screw Head Covers on. Slip the 3/8" long Rubber Sleeve over the Stop Stud on the Pivot Arm that has the Wind Lock Bar. (See Fig. 8)

Figure 7



Step #10

Attach the provided 3 hook TowelMate on the preferred side of your Covermate by simply snapping it into place and inserting the middle self tapping screw. (See Fig. 9)

You Are Done

Operation of the Covermate III

1. Fold the first half of the spa cover off the spa. Gripping the rubber grip, motion the spa cover into it's verticle upright position.
2. When closing spa cover unlock Wind Lock Bar by lifting up on the bar and pulling the Covermate down.

Figure 8

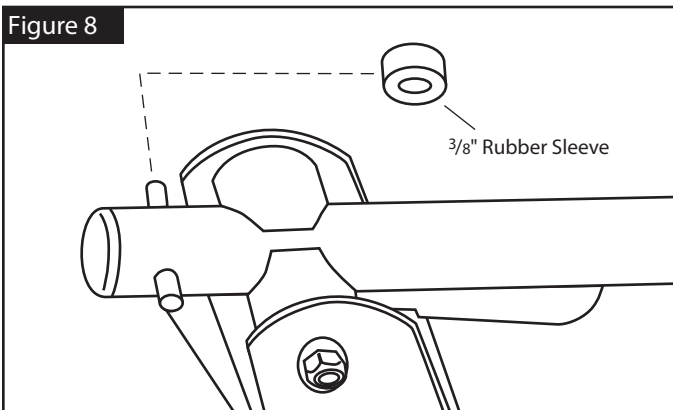


Figure 9

